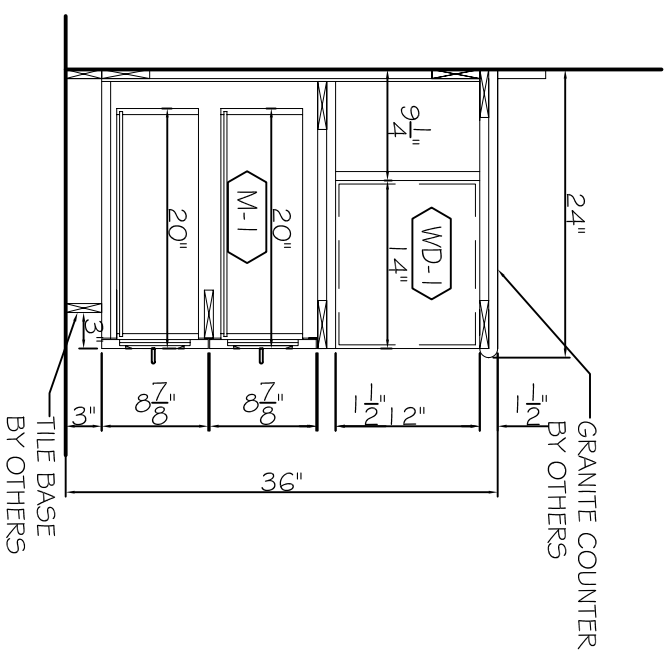
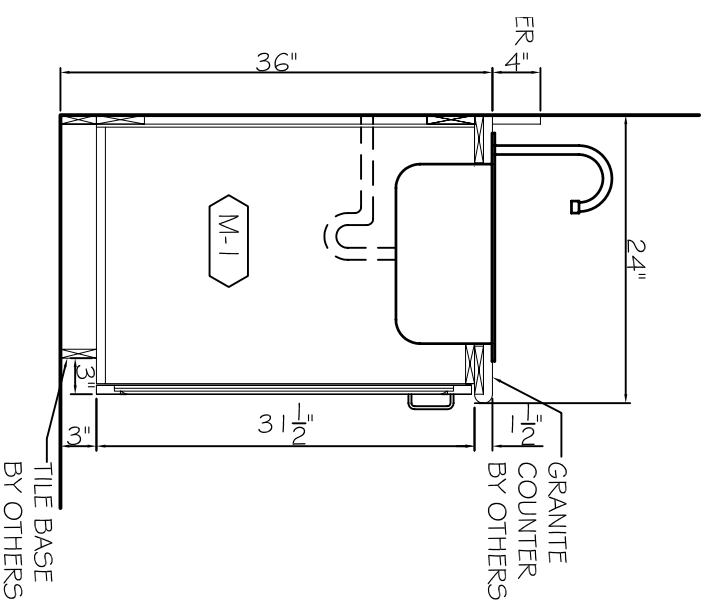


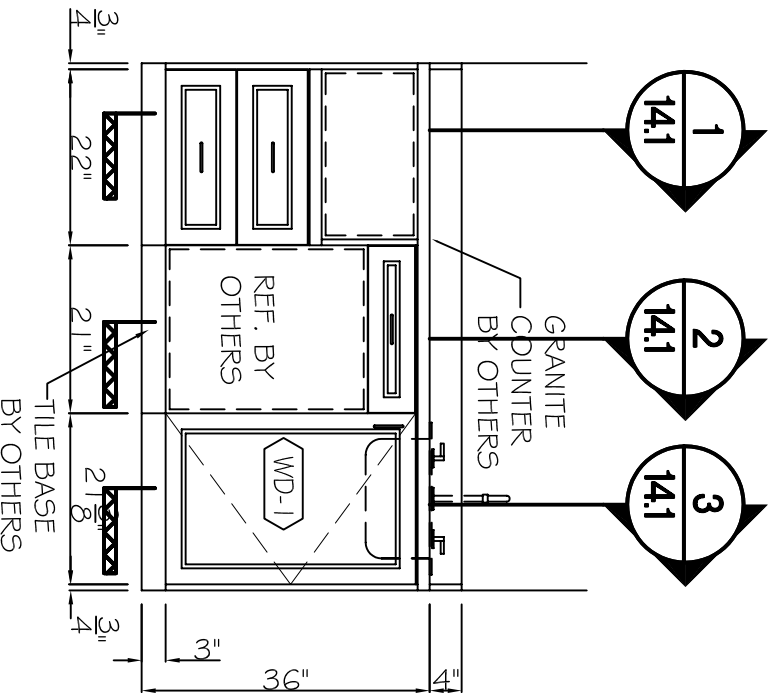
A SECTION
14.1
1/2" = 1'



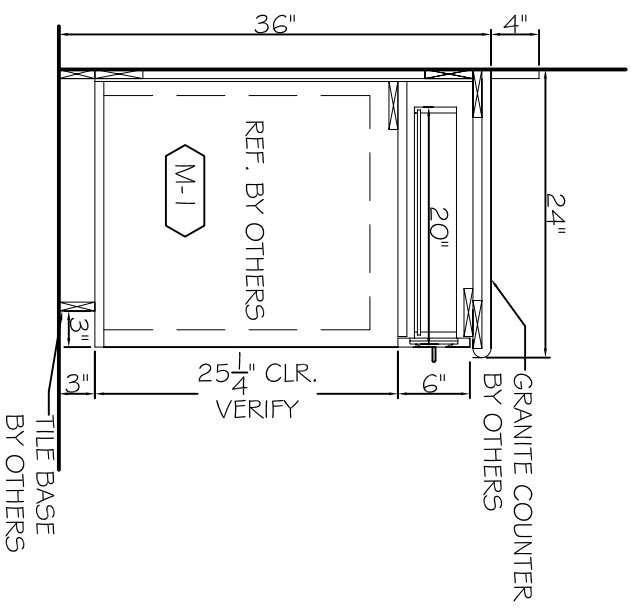
1 SECTION
14.1
3/4" = 1'



3 SECTION
14.1
3/4" = 1'



B ELEVATION
14.1
1/2" = 1'



2 SECTION
14.1
3/4" = 1'

SCHEDULE		SL NO	ROOM NO.	QUANTITY
		1	A4 114	1
		2	A4 123	1
		3	A4 124	1
		4	A4 214	1
		5	A4 224	1
		6	C4 241	1
		7	A4 223	1
		8	C2 301	1
		9	A4 323	1
		10	A4 324	1
		11	C4 339	1
		12	C4 341	1
		13	A4 414	1
		14	A4 423	1
		15	A4 424	1
		16	C4 439	1
		17	C4 441	1
		18	A4 514	1
		19	A4 524	1
		20	C4 539	1
		21	C7 540	1
		22	C4 541	1
		TOTAL NO	-----	22

JOB NAME

DRAWN BY

LOCATION

DATE

11/24/2006

ROOM NAMES

TYP. KITCHENETTE - 22 REQUIRED

SHEET NO.

14.1