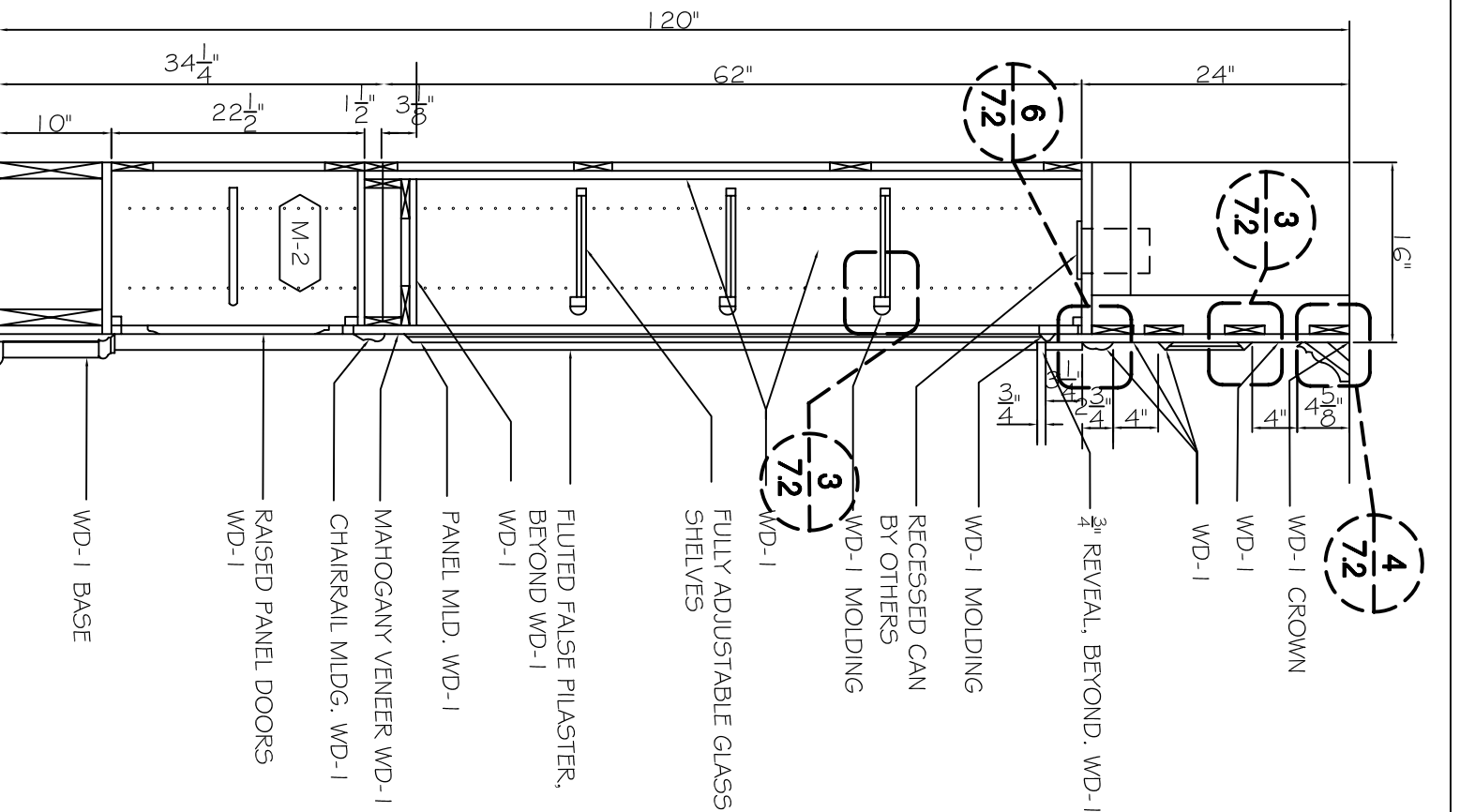
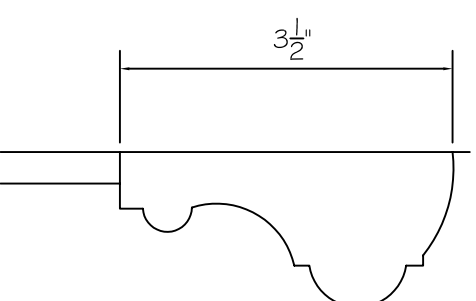


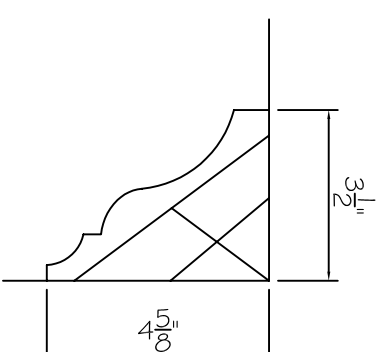
1 SECTION
7.2 3/4" = 1'



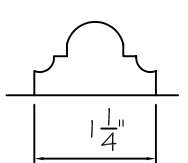
2 SECTION
7.2 3/4" = 1'



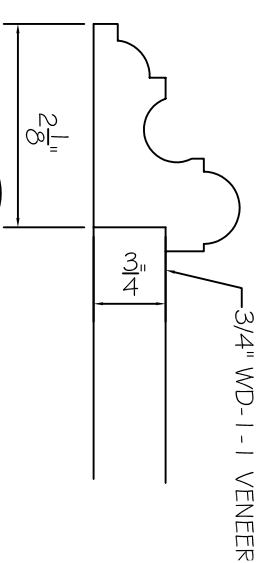
6 DETAIL
7.2 6" = 1'



4 DETAIL
7.2 3" = 1'



3 DETAIL
7.2 6" = 1'



5 DETAIL
7.2 6" = 1'

JOB NAME

LOCATION

ROOM NAMES

BOOK CASE SECTIONS

DRAWN BY

DATE

11/24/2006

SHEET NO.

7.2