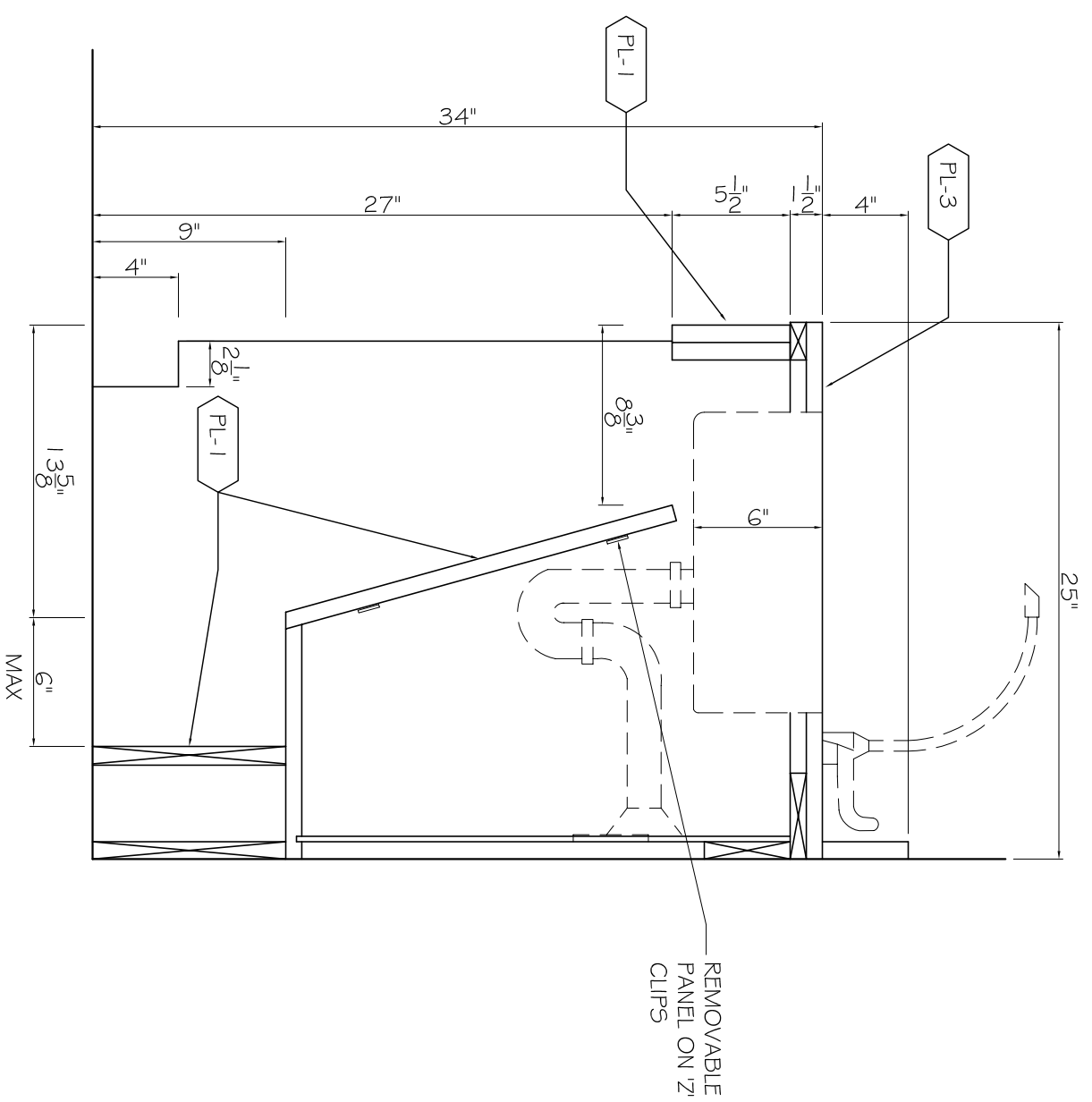
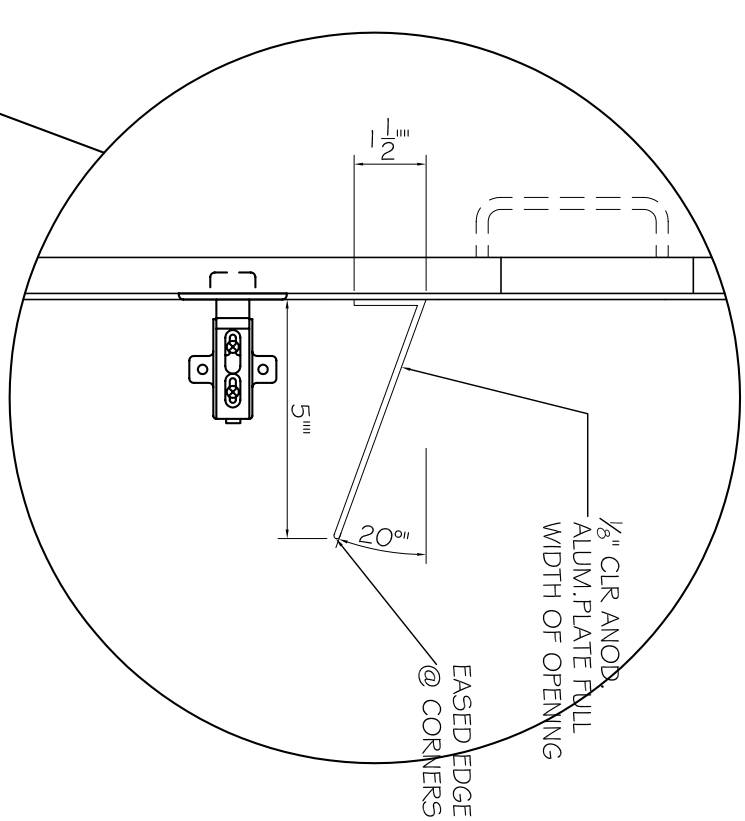


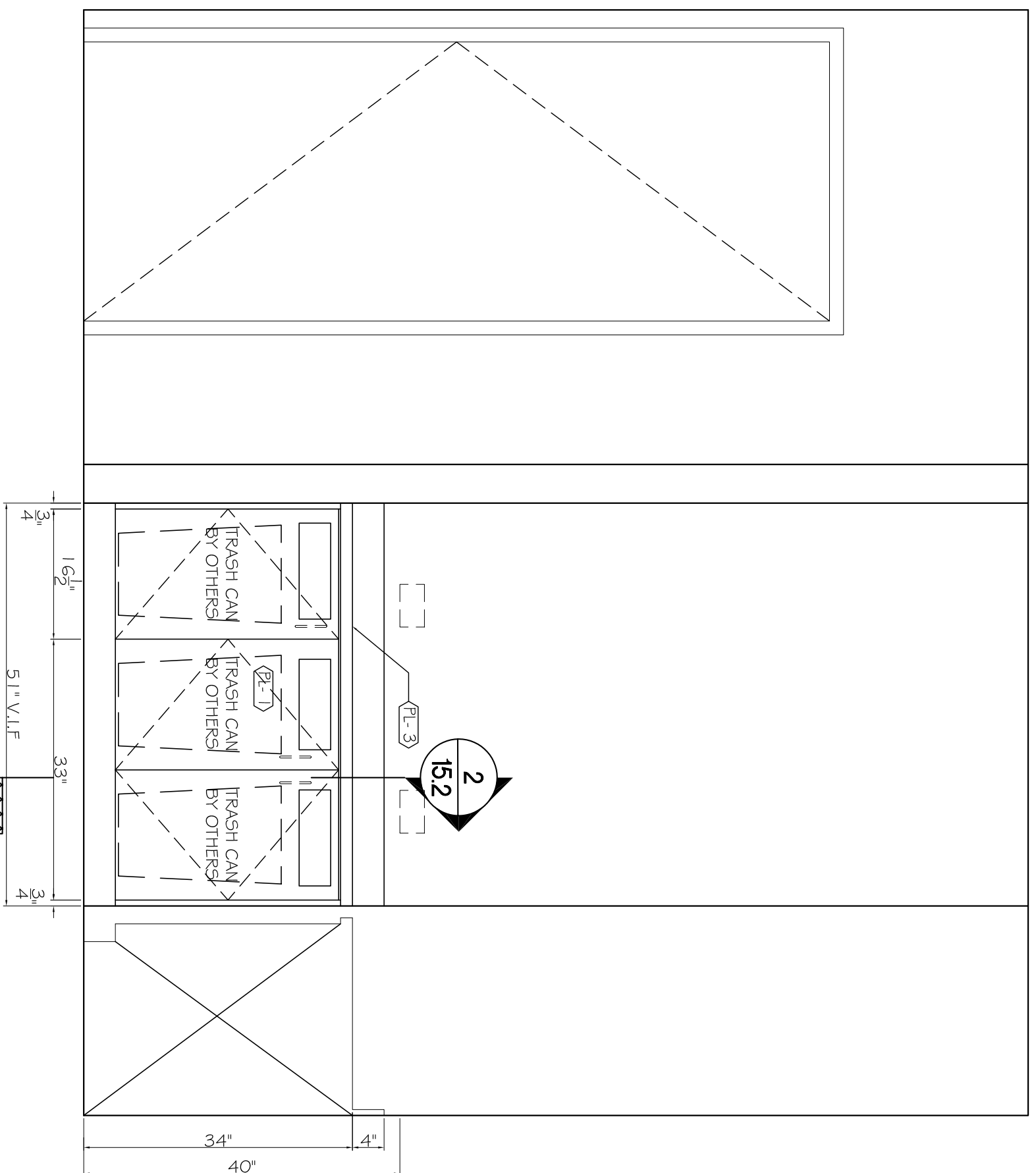
3 SECTION
15.2 1 1/2" = 1'



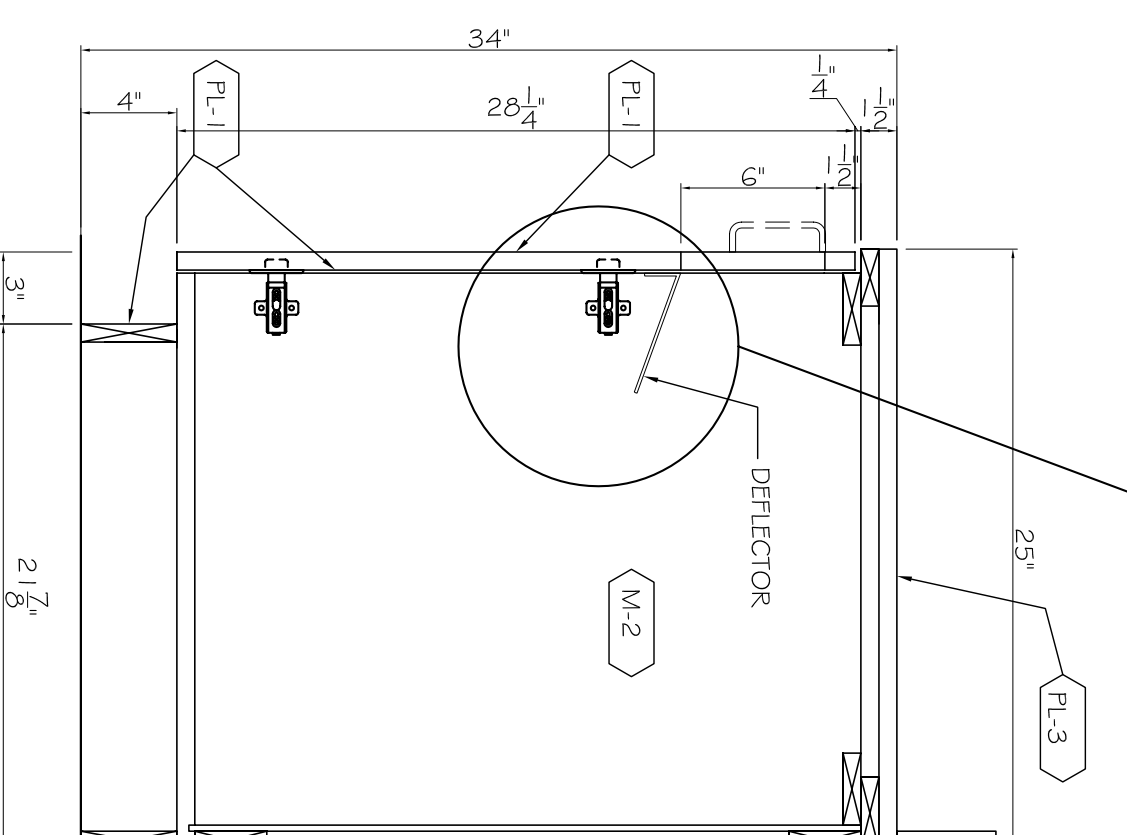
4 SECTION
15.2 1 1/2" = 1'



5 SECTION
15.2 3" = 1'



1 ELEVATION
15.2 3/4" = 1'



2 SECTION
15.2 1 1/2" = 1'

JOB NUMBER :	GRADE :	REVISIONS :	RELEASED STAMP
DRAWING DATE :	DATE SUBMITTED :		
DRAWN BY :	RELEASED BY :		
APPROVED BY :	FILE :		