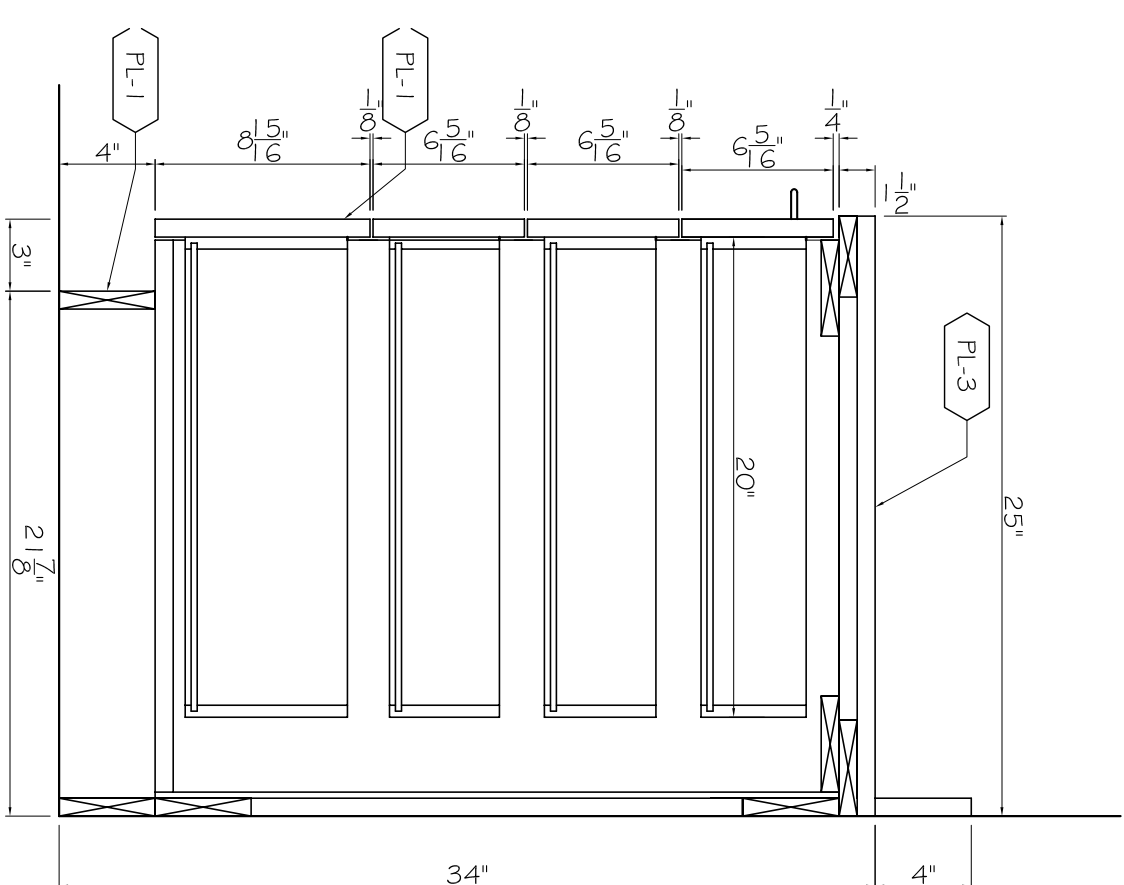
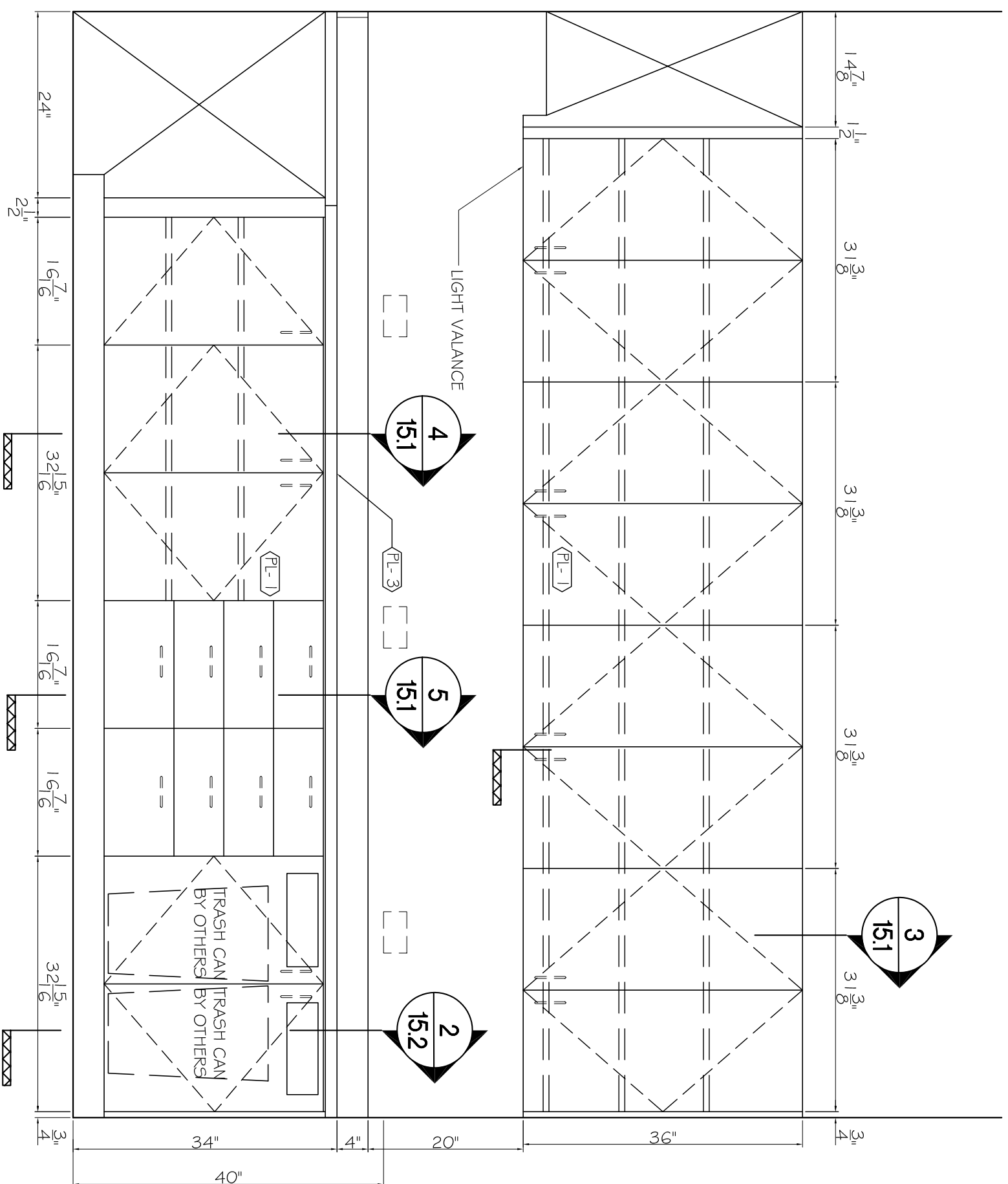


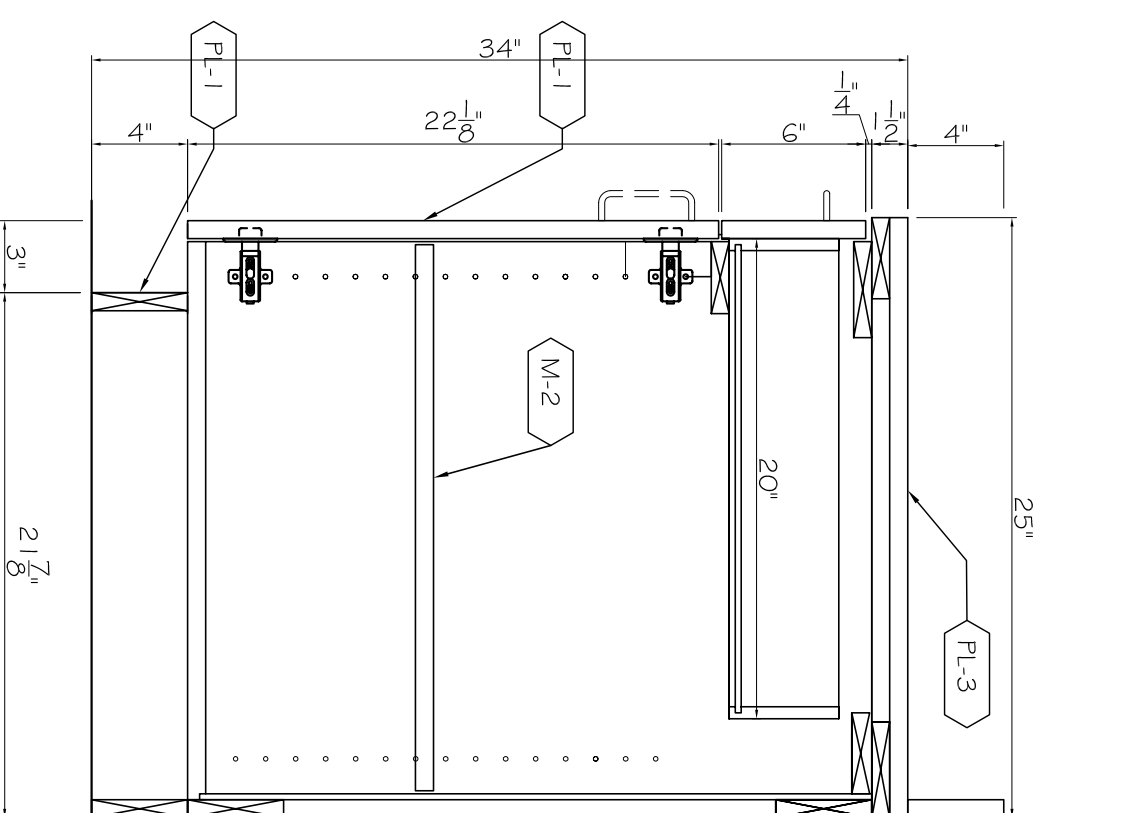
4 SECTION  
15.1 1-1/2" = 1'



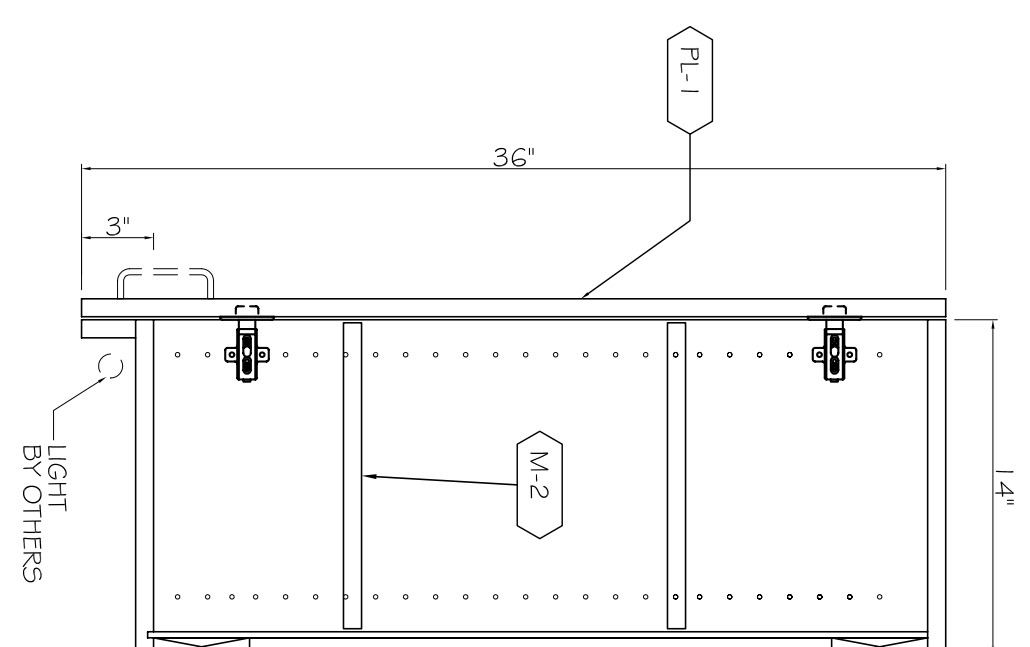
5 SECTION  
15.1 1-1/2" = 1'



1 ELEVATION  
15.1 3/4" = 1'



2 SECTION  
15.1 1-1/2" = 1'



3 SECTION  
15.1 1-1/2" = 1'

RELEASED STAMP

REVISIONS :

GRADE :

JOB NUMBER :

DATE SUBMITTED :

11/24/06

RELEASED BY :

DRAWN BY :

FILE :

APPROVED BY :

SHEET NUMBER

15.1