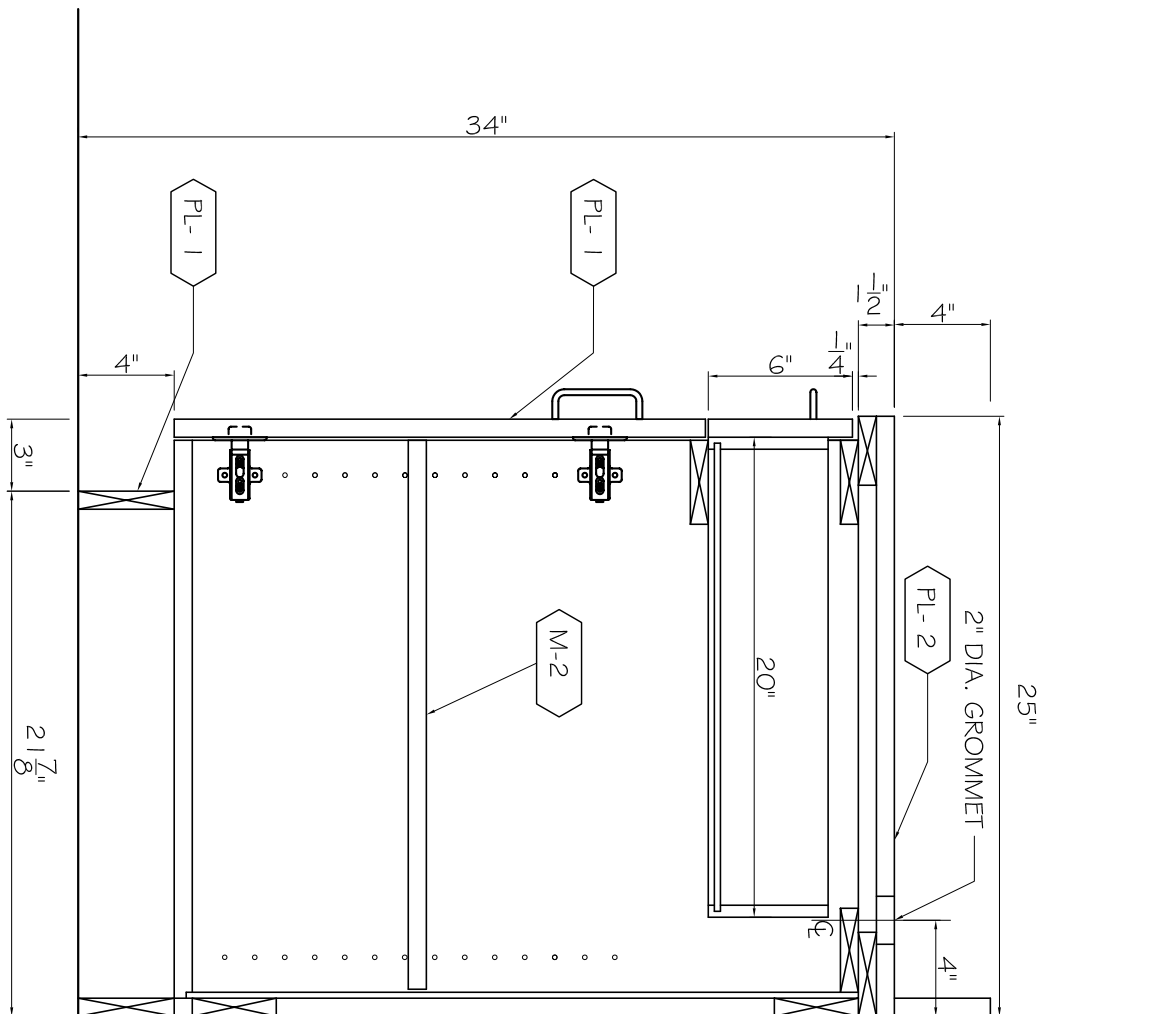
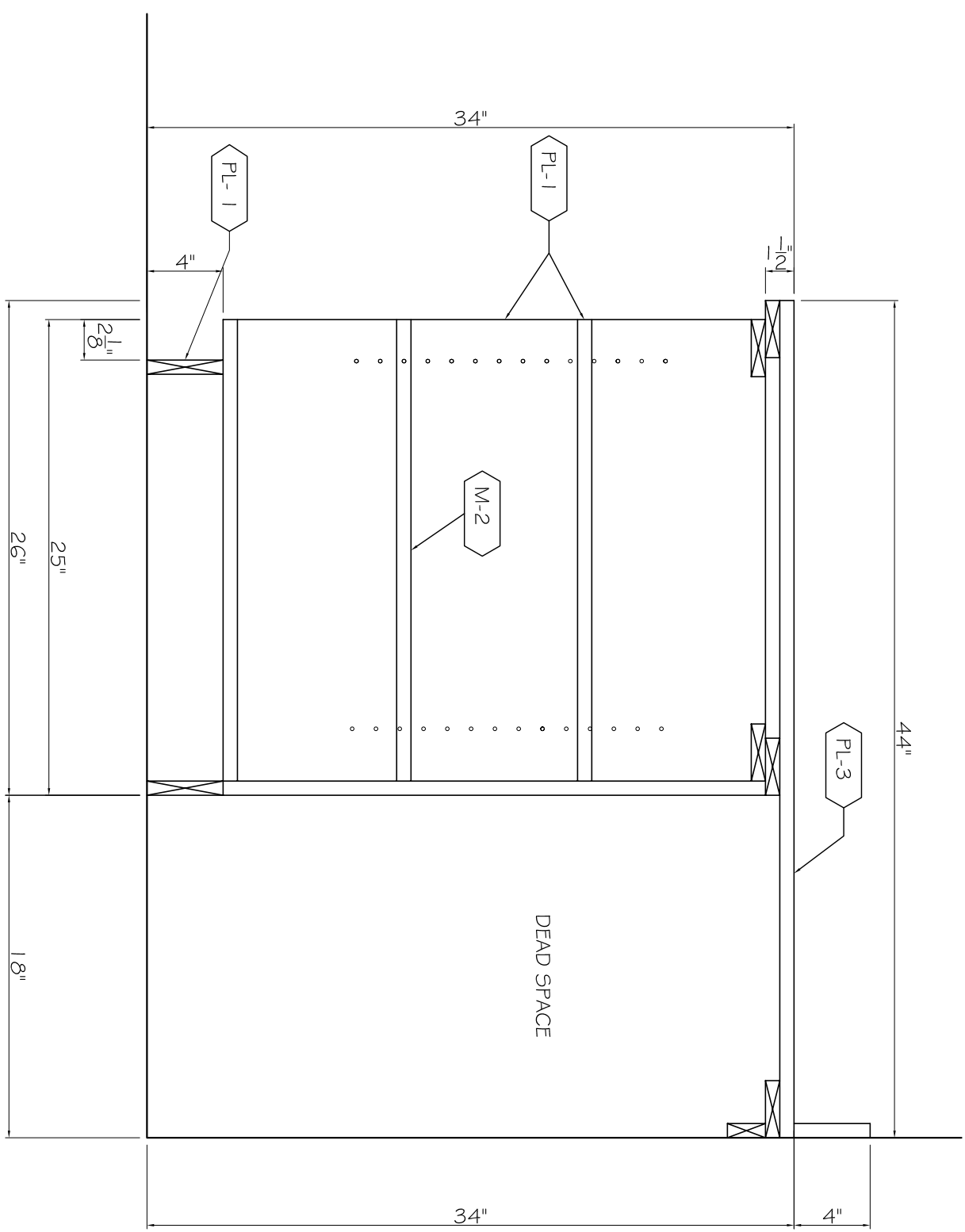


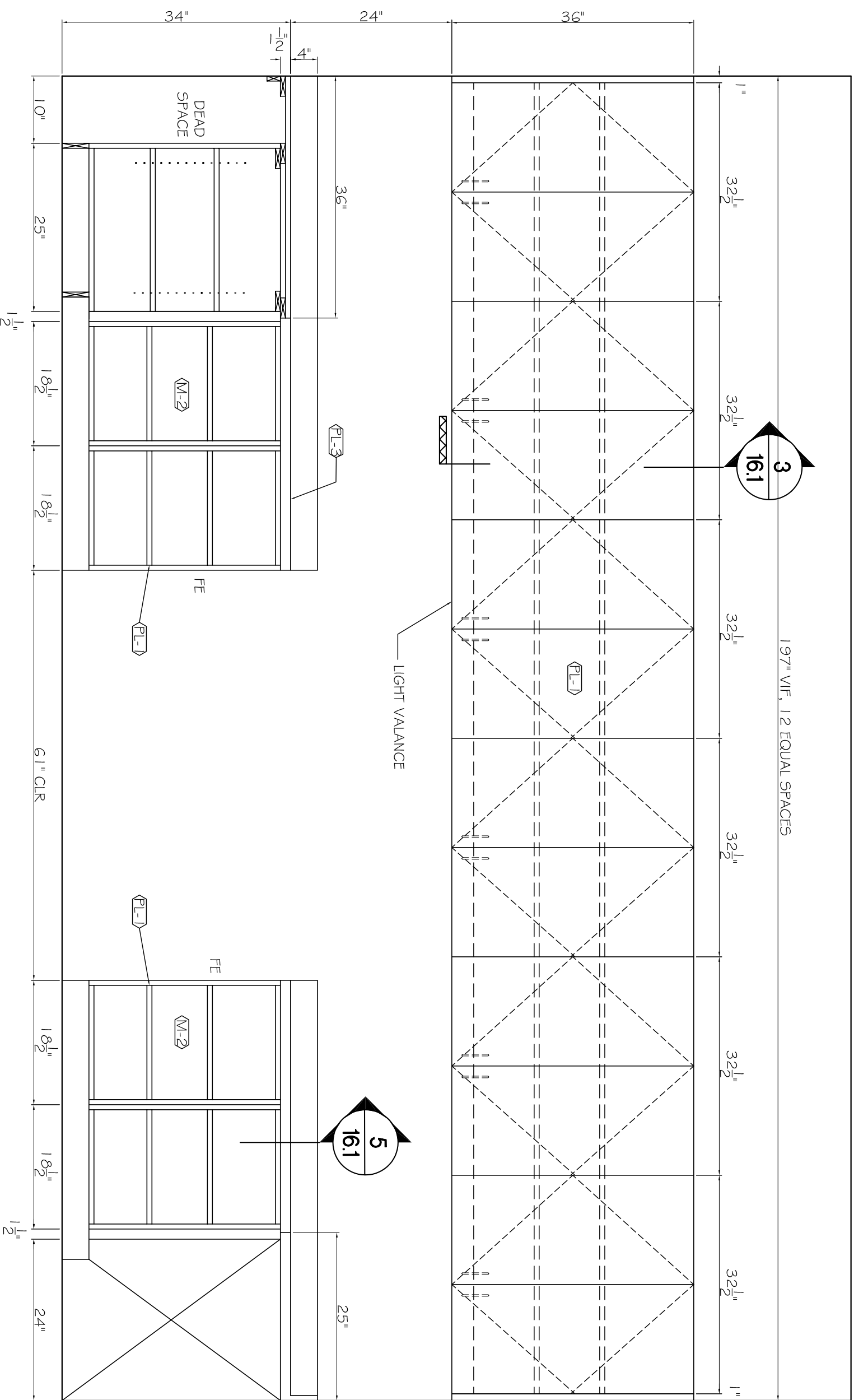
3 SECTION  
16.1 1-1/2" = 1"



4 SECTION  
16.1 1-1/2" = 1"

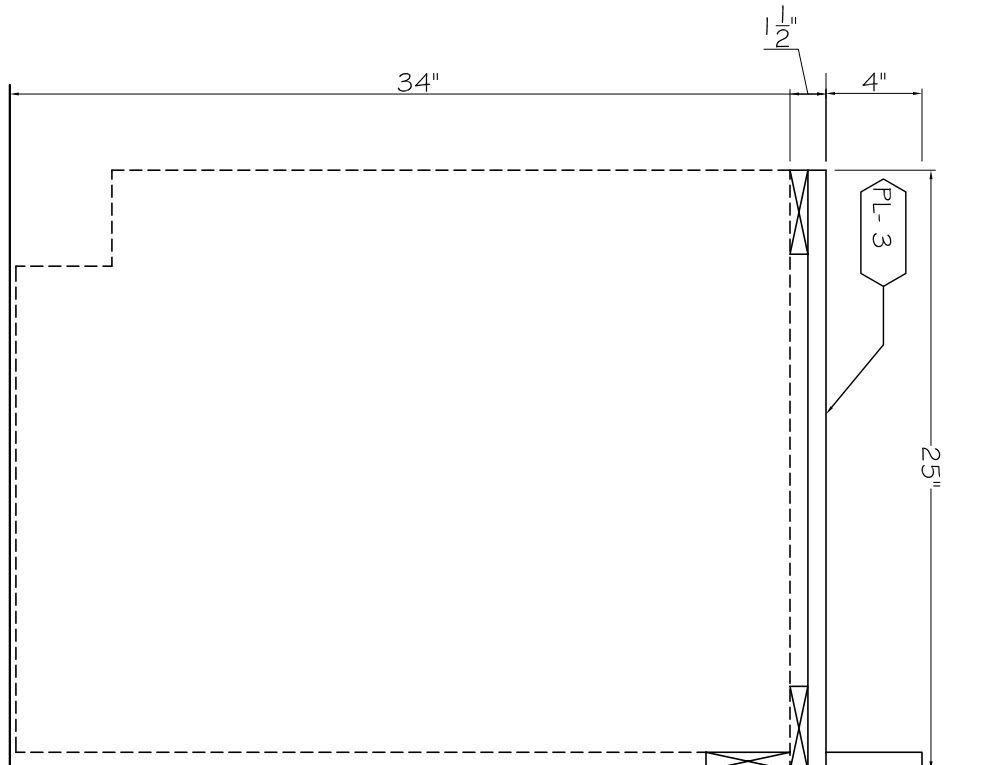


5 SECTION  
16.1 1-1/2" = 1"



3 16.1

5 16.1



2 SECTION  
16.1 1-1/2" = 1"

1 ELEVATION  
16.1 3/4" = 1"

\*PLM-1 @ OPEN SHELVING

JOB NUMBER :	GRADE :	REVISIONS :	RELEASED STAMP
DRAWING DATE : 11/24/06	DATE SUBMITTED :		
DRAWN BY :	RELEASED BY :		
APPROVED BY :	FILE :		