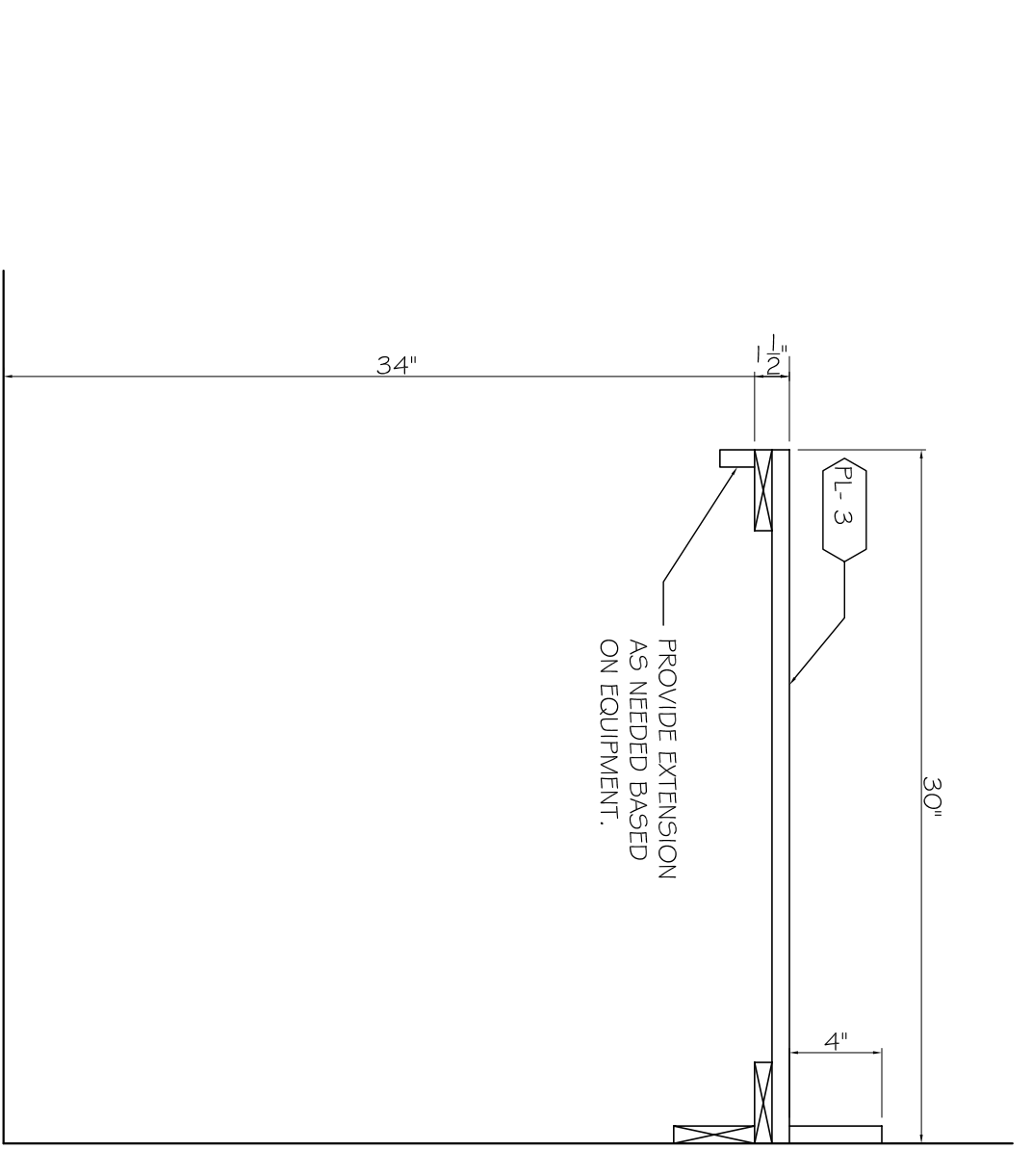
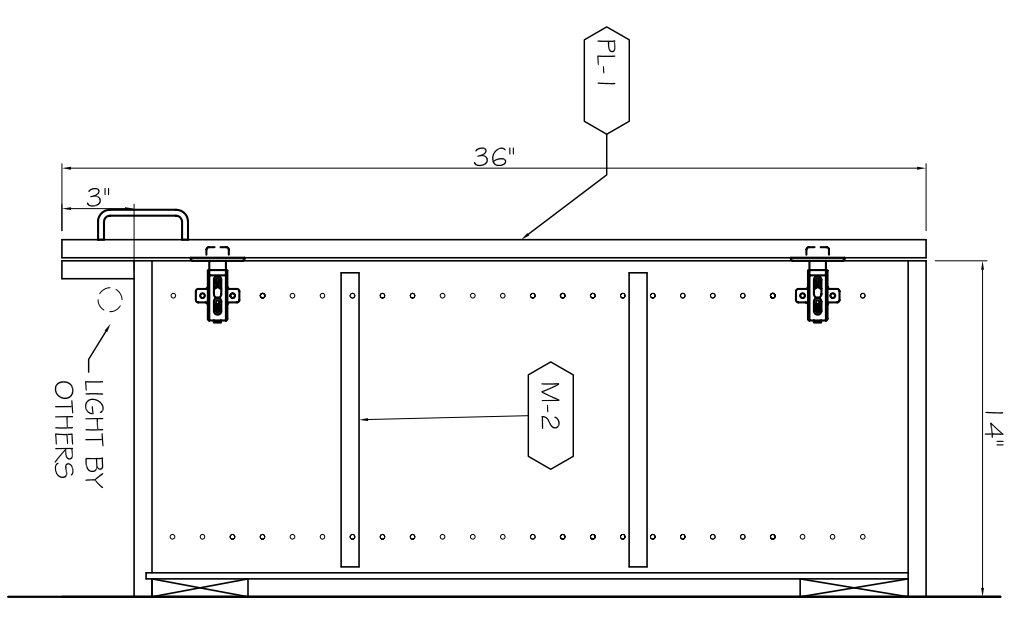


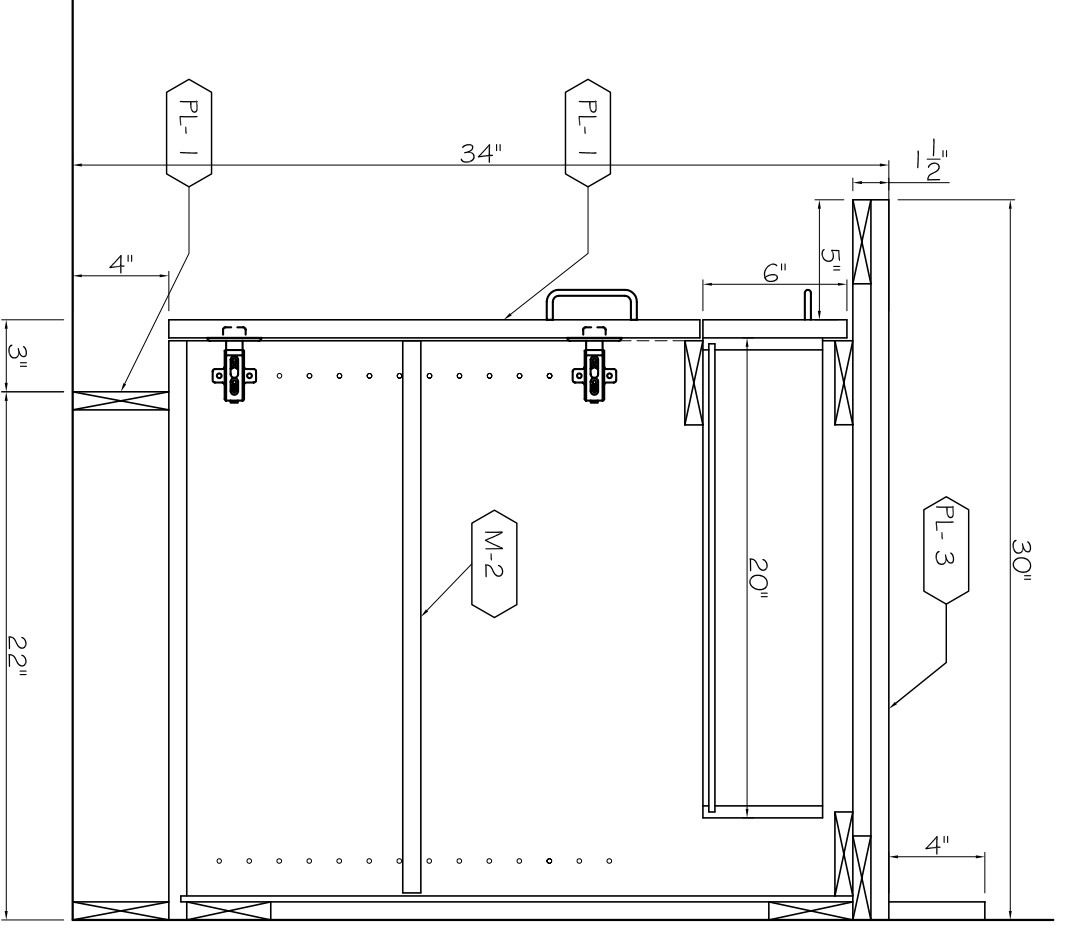
1 ELEVATION
13.0
3/4" = 1'



4 SECTION
13.0
1 1/2" = 1'



2 SECTION
13.0
1 1/2" = 1'



3 SECTION
13.0
1 1/2" = 1'

SHEET NUMBER 13.0	JOB NUMBER :	GRADE :	REVISIONS :	RELEASED STAMP
	DRAWING DATE :	DATE SUBMITTED :		
	DRAWN BY :	RELEASED BY :		
	APPROVED BY :	FILE :		