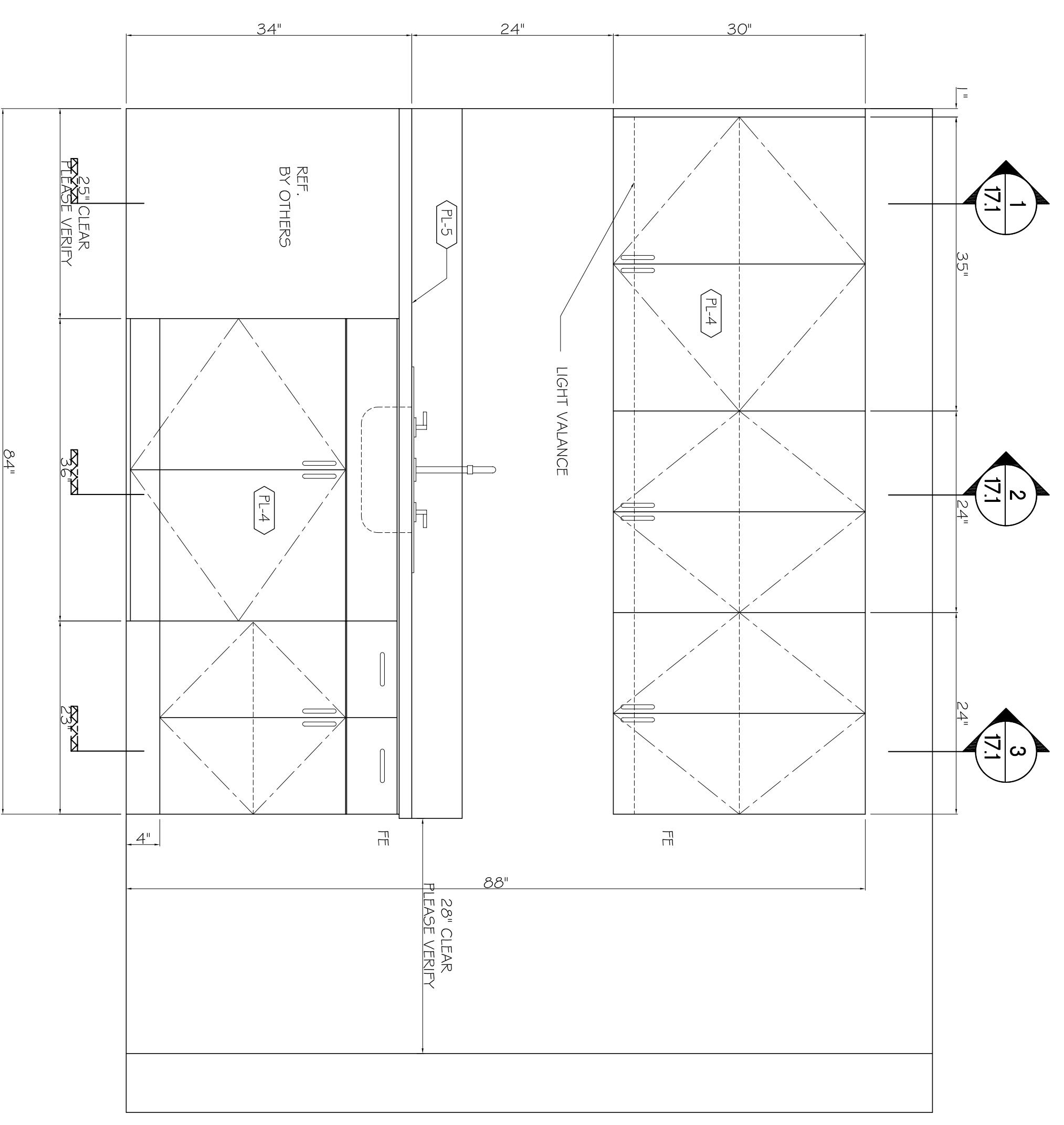
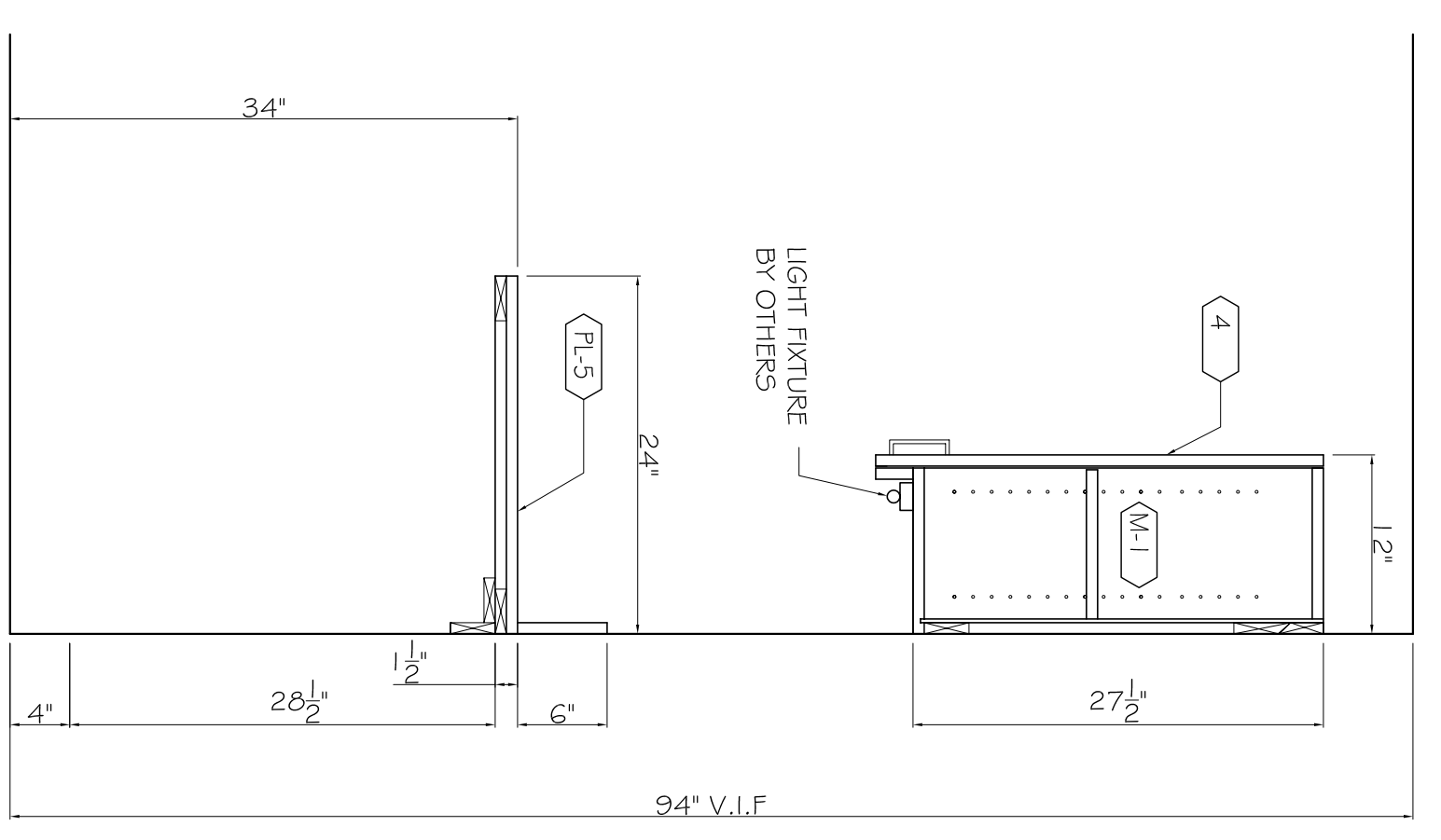


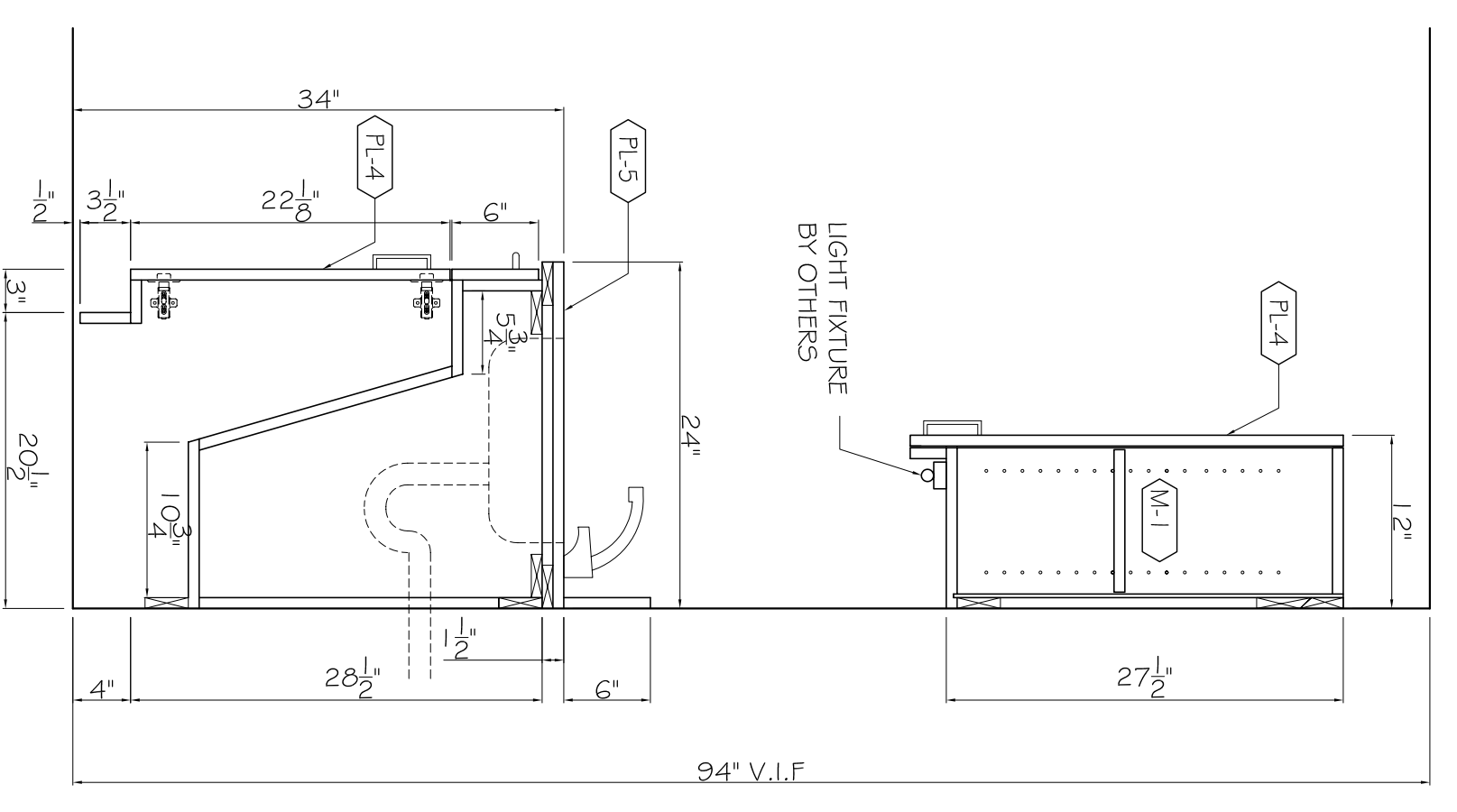
A PLAN
17.1
3/4" = 1"



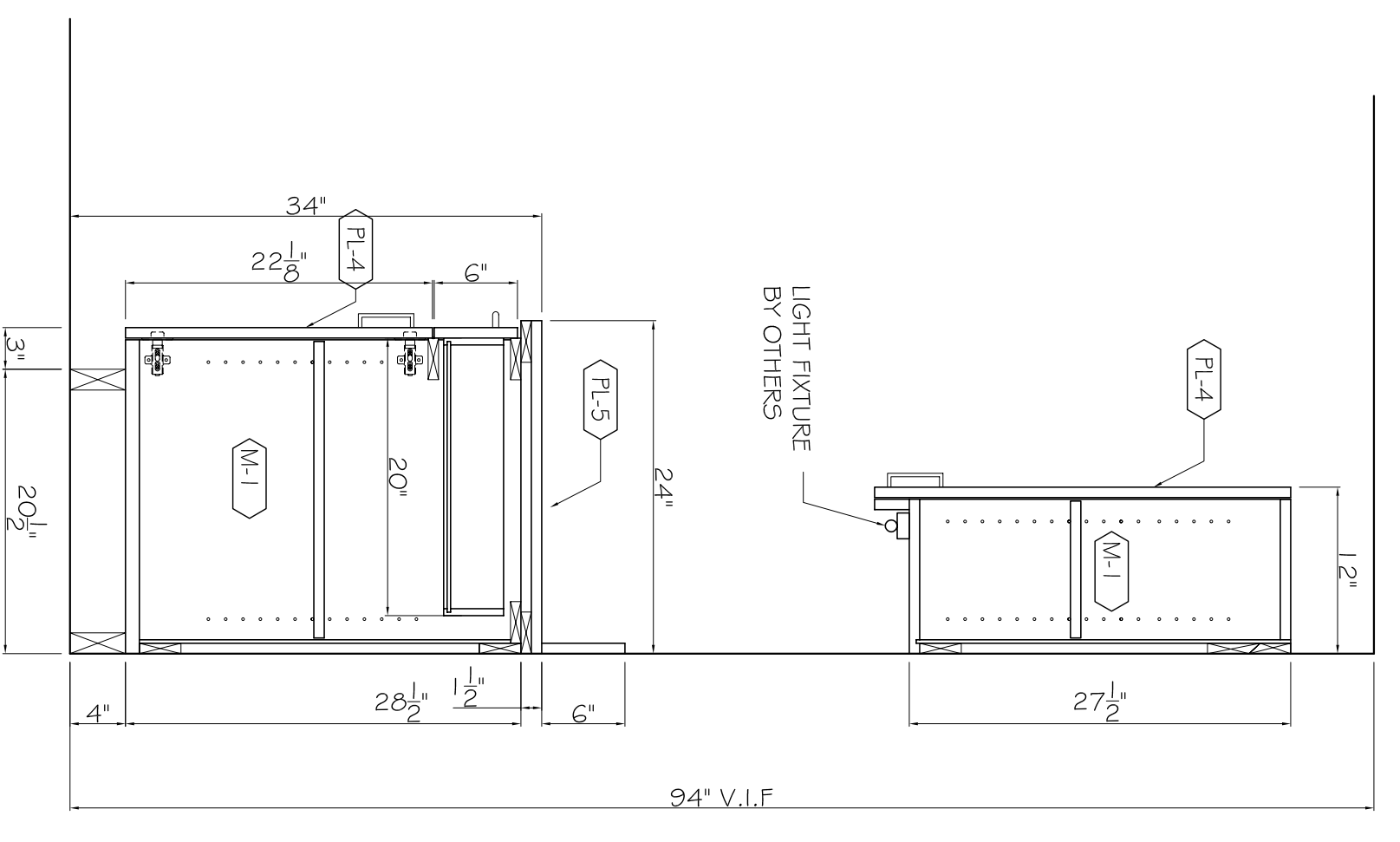
B ELEVATION
17.1
1" = 1"



1 SECTION
17.1
1" = 1"



2 SECTION
17.1
1" = 1"



3 SECTION
17.1
1" = 1"

PRINT RECORD	
FOR APPROVAL	
DATE APPROVED	
FILE & FIELD	
REVISIONS	
BY	
NO.	DATE
	DESCRIPTION

PROJECT		SCALE:	
LOCATION		AS SHOWN	
CONTRACTOR			
DRAWING TITLE	PANTRY 515	DATE:	11/24/2006
DRAWN BY:	JSF	DATE:	
CHECKED BY:			
JOB NO.		SHEET:	17.1
REV.			