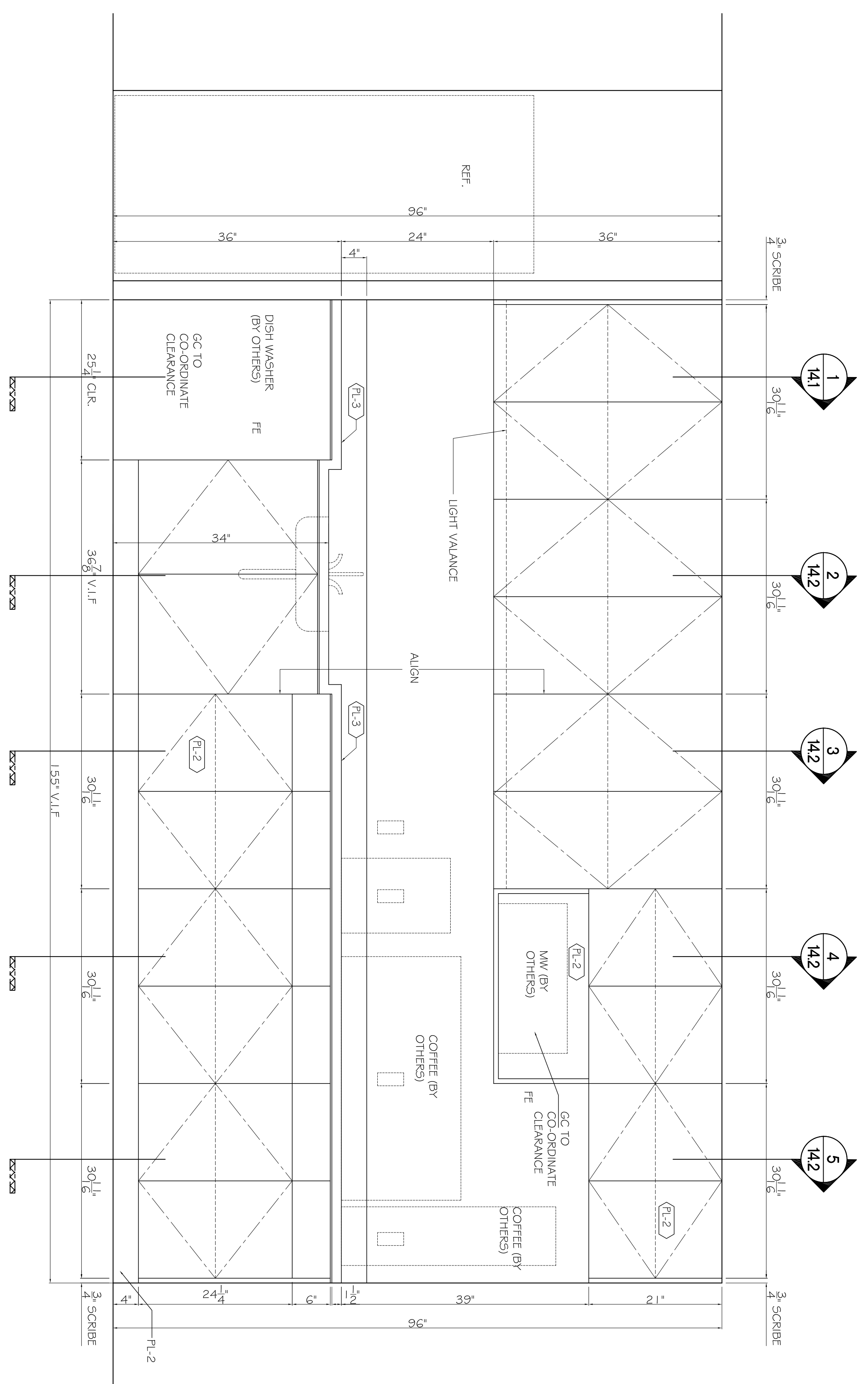
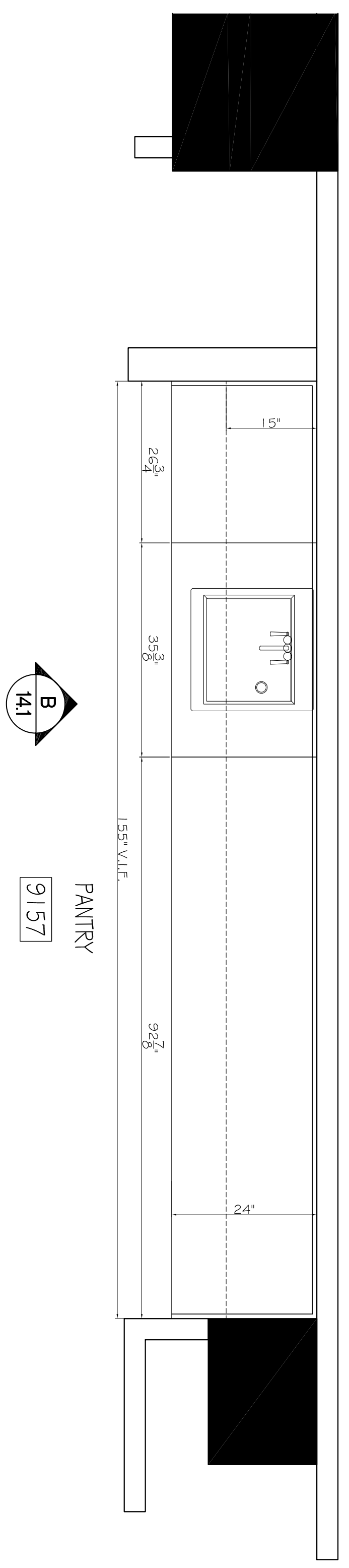


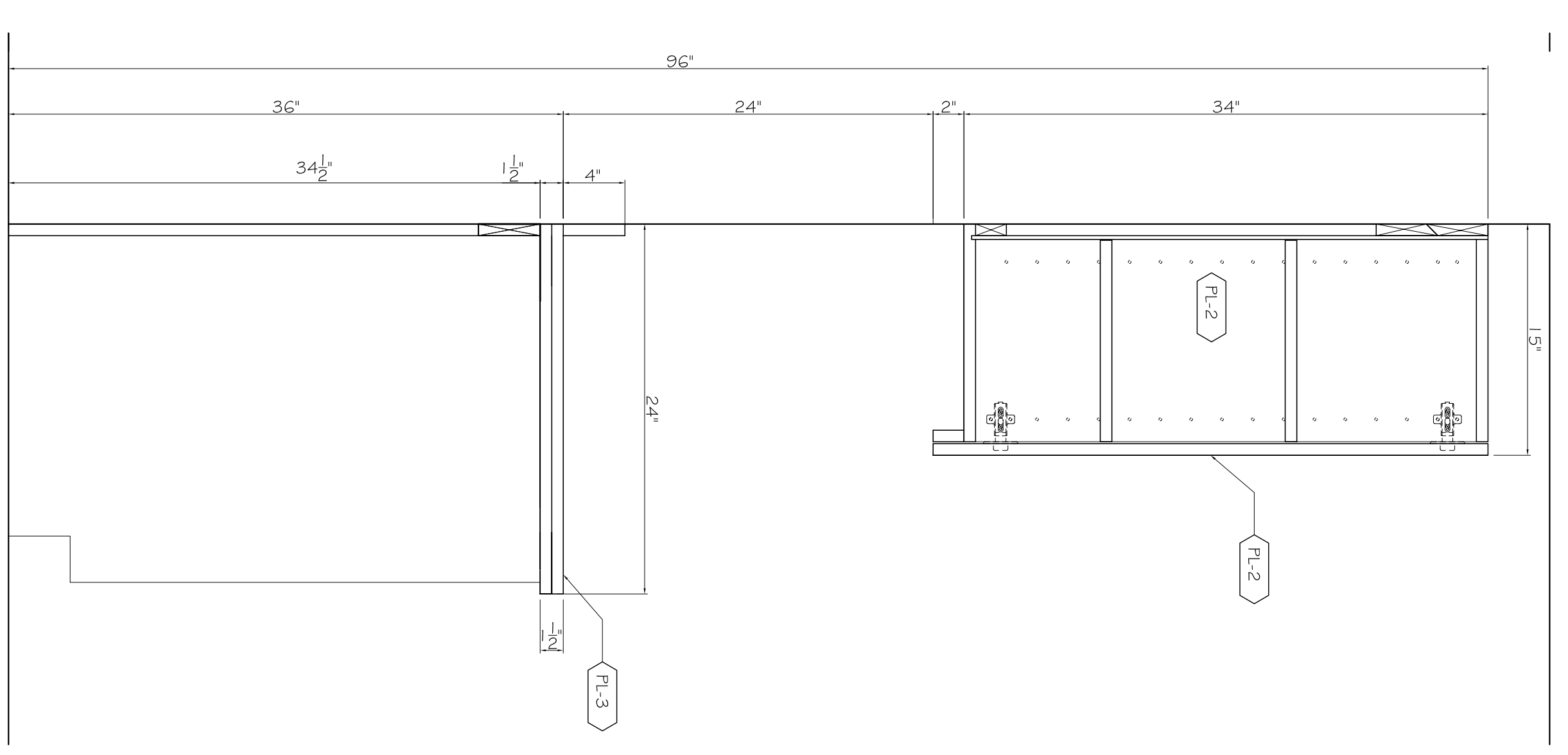
PRINT RECORD			
FOR APPROVAL			
DATE APPROVED			
FILE & FIELD			
REVISIONS			
NO.	DATE	DESCRIPTION	BY



B ELEVATION
14.1 1" = 1'



A PLAN
14.1 3/4" = 1'



1 SECTION
14.1 1-1/2" = 1'

PROJECT		SCALE:	
LOCATION		AS SHOWN	
CONTRACTOR			
DRAWING TITLE	PANTRY 9157		
DRAWN BY:	JSF	DATE:	7/13/2006
CHECKED BY:		DATE:	
FILE:			
JOB NO.			
REV.			
SHEET:	14.1		